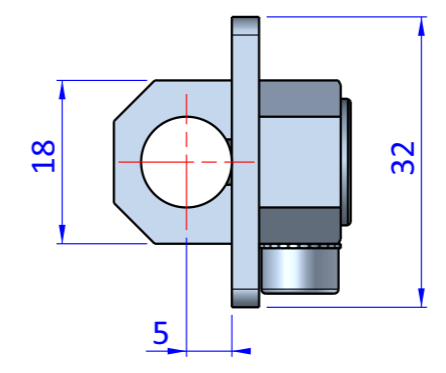
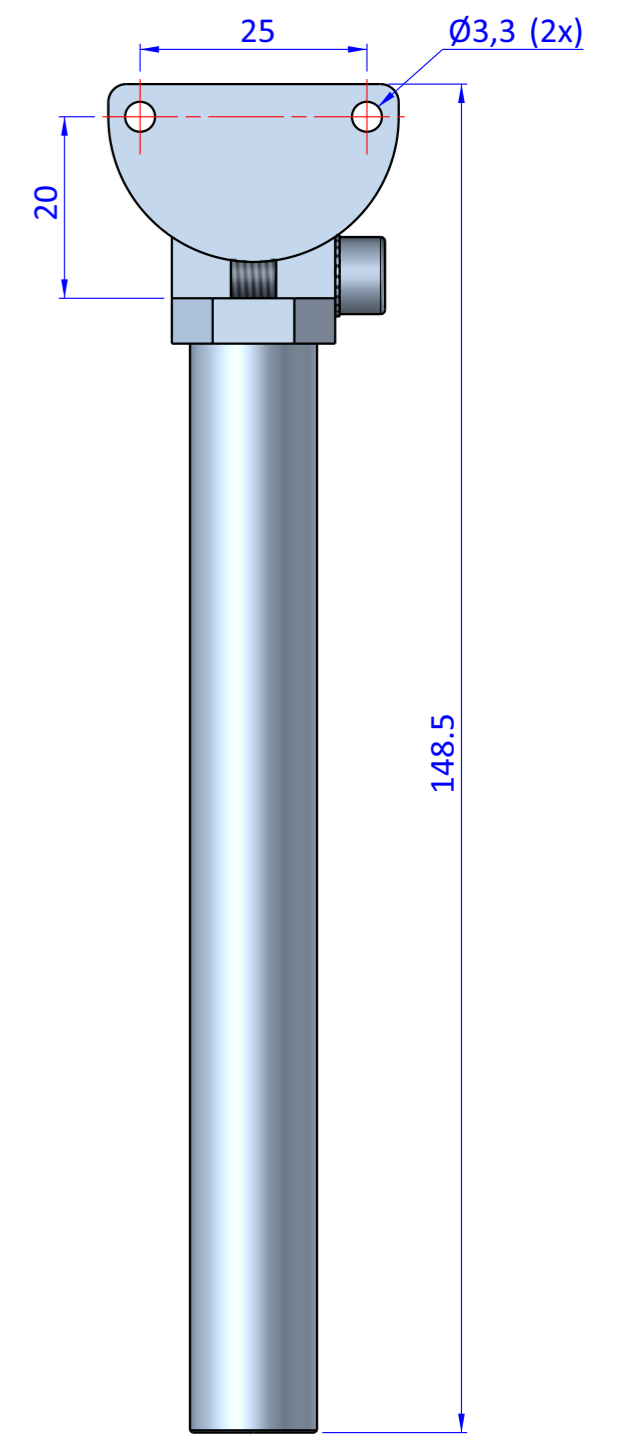
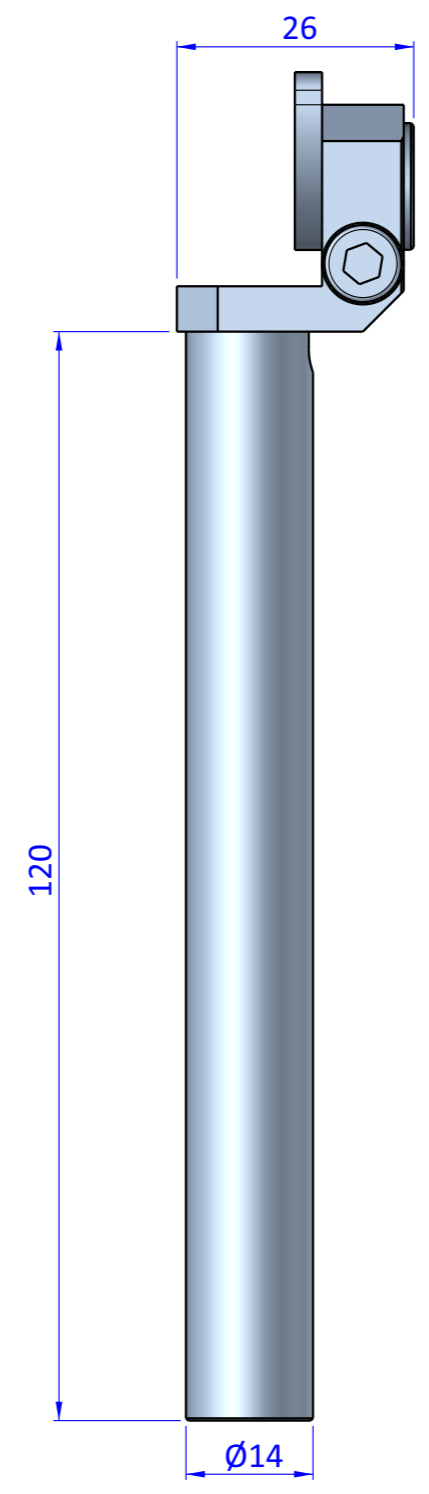
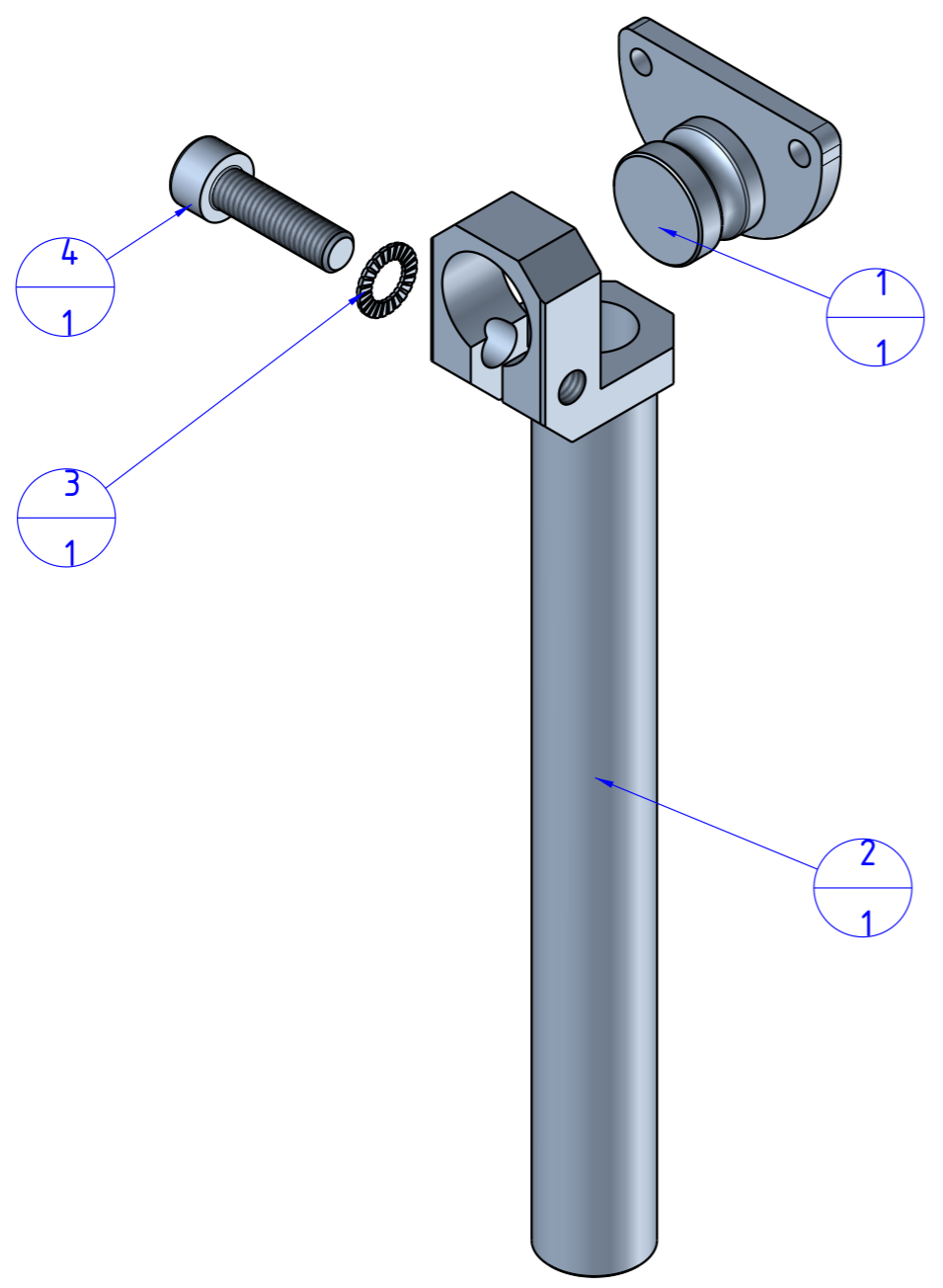


THE PROPERTY OF THE DRAWING IS ESTABLISHED BY LAW. IT IS FORBIDDEN TO PRODUCE OR SHOW IT TO THIRD PART. WITHOUT A WRITTEN AGREEMENT.

Item	Name	Q.ty
1	ATK.10.14.3	1
2	GGB.14.120	1
3	R.5.SCH	1
4	V.TCE5x18	1



FPS FPSERVICES AUTOMATION		DESIGNED FROM FPS Automation		REVIEW A	
GENERAL TOLERANCE UNI - ISO 2768 CLASSE f		DESCRIPTION CA.ATK.10.14.120		DATE 06/08/2020	WEIGHT 0,044kg
				CODE CA.ATK.10.14.120	

Format A3
UNI 936-76